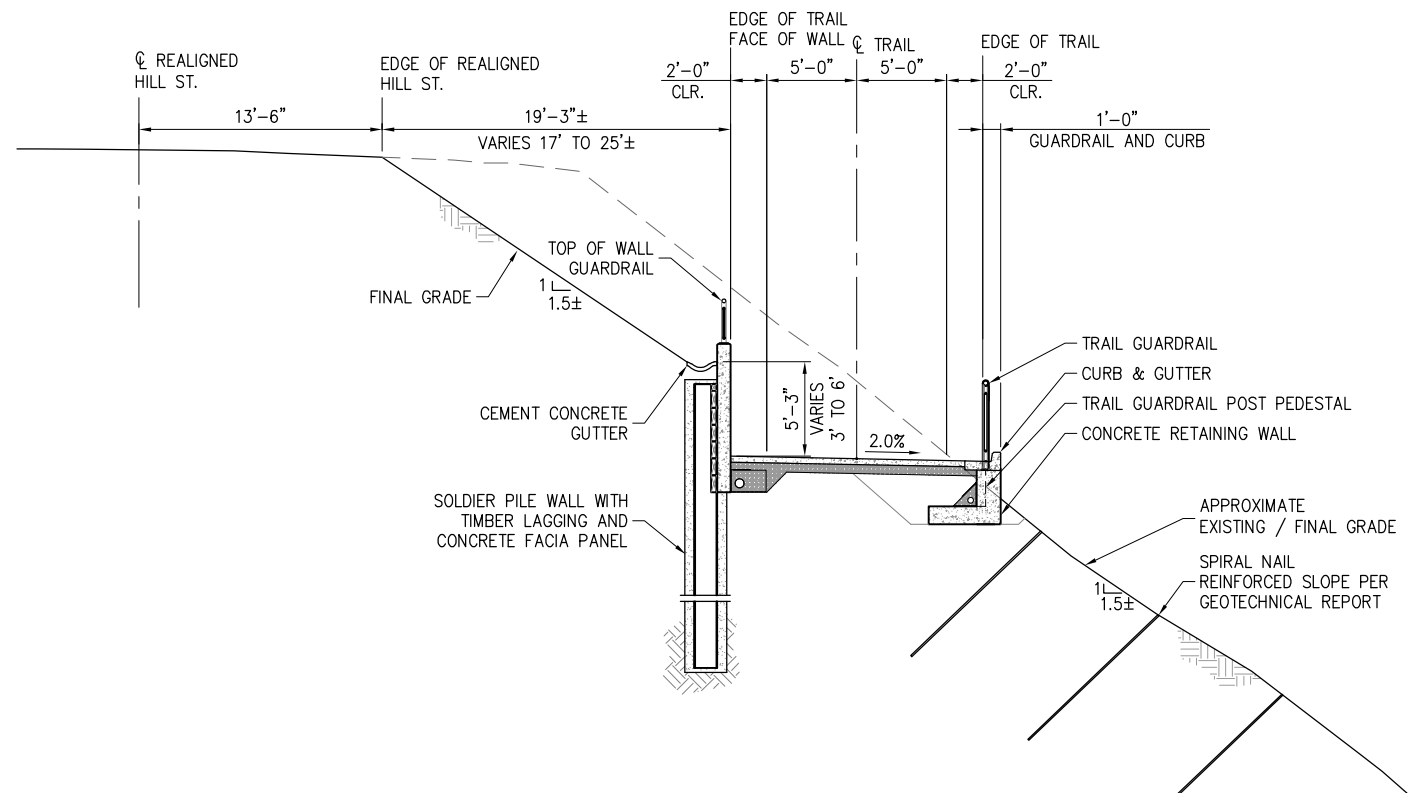


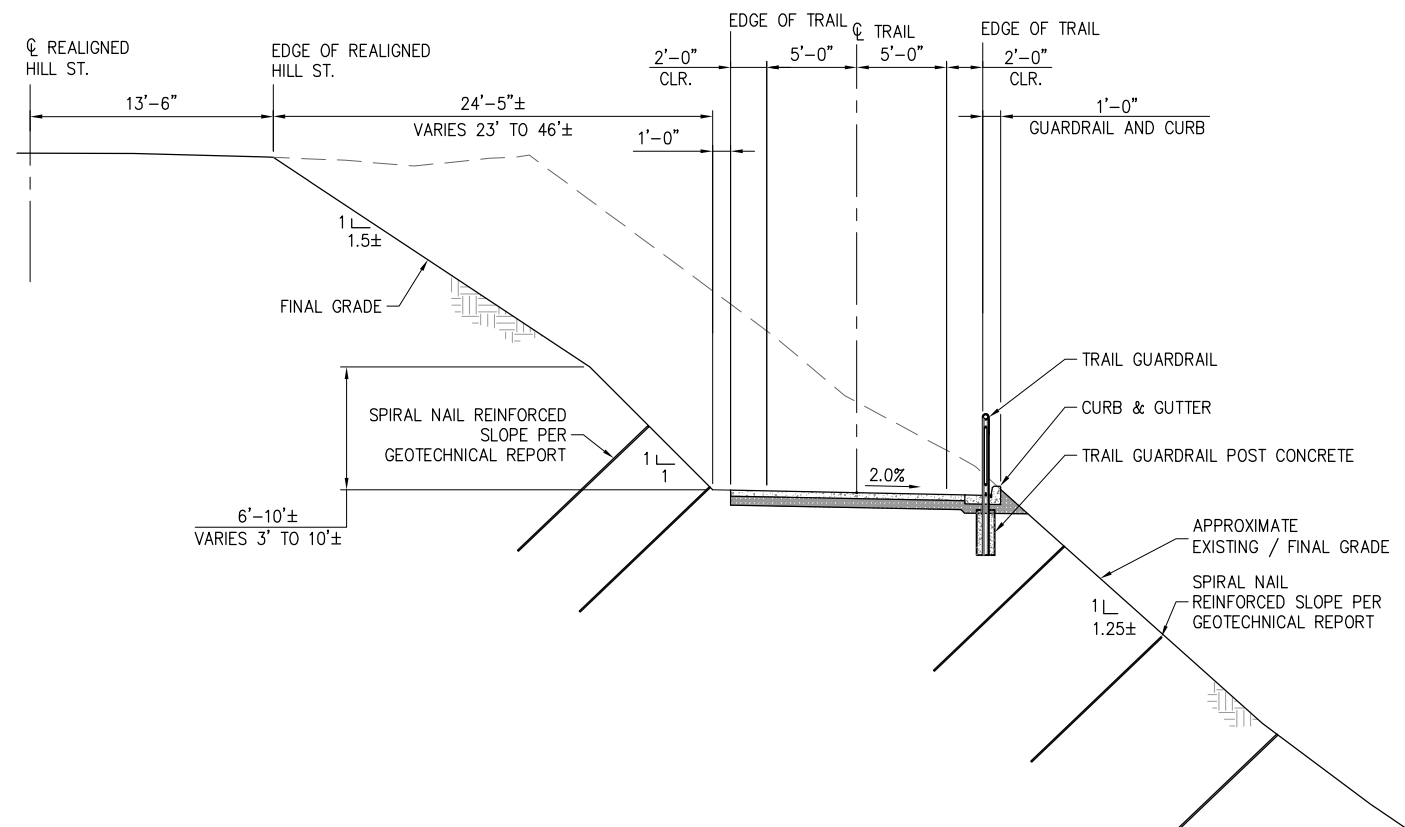
SECTION - TYPE 1

STA 9+00 TO STA 10+80
STA 12+75 TO STA 13+77
SECTION AT STA 10+00



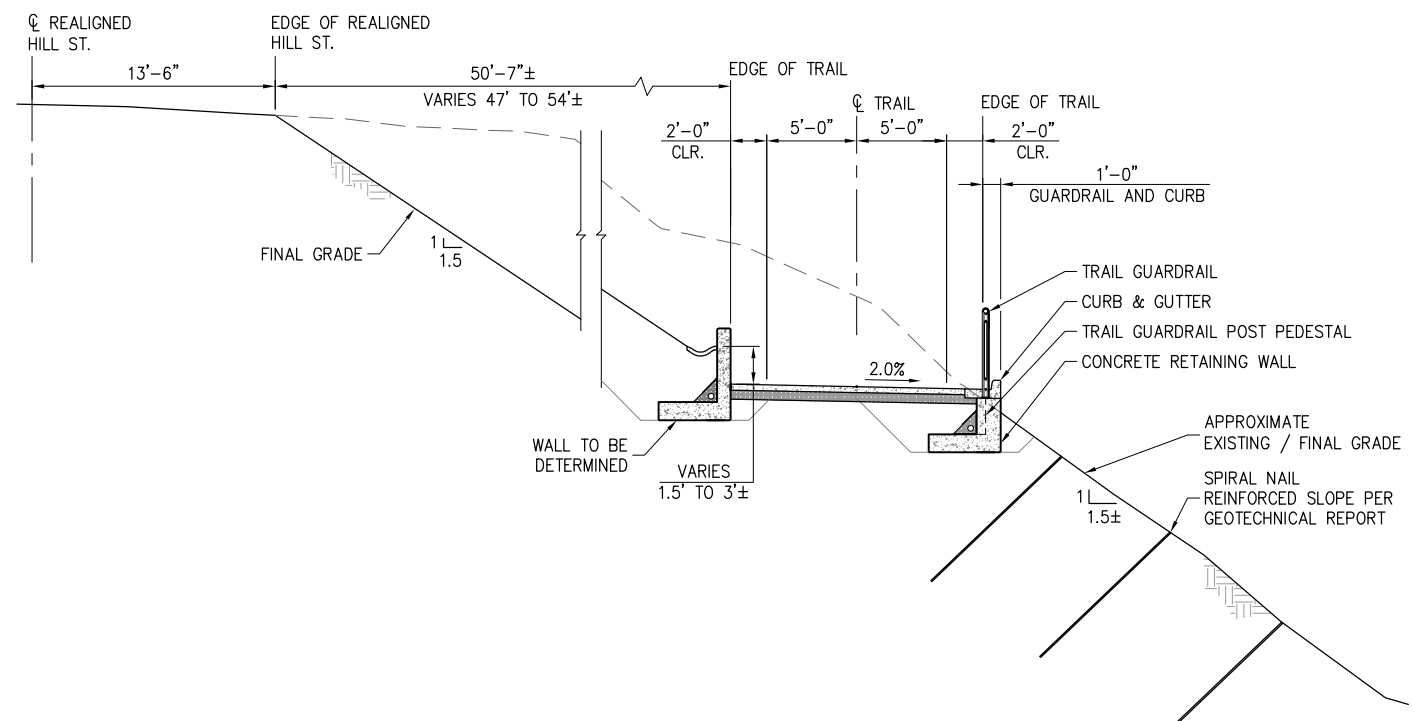
SECTION TYPE 2

STA 10+90 TO STA 11+90
SECTION AT STA 11+40



SECTION - TYPE 3

STA 11+98 TO STA 12+67
STA 13+75 TO STA 14+60
SECTION AT STA 12+40



SECTION - TYPE 4

STA 14+70 TO STA 15+00
SECTION AT STA 14+80

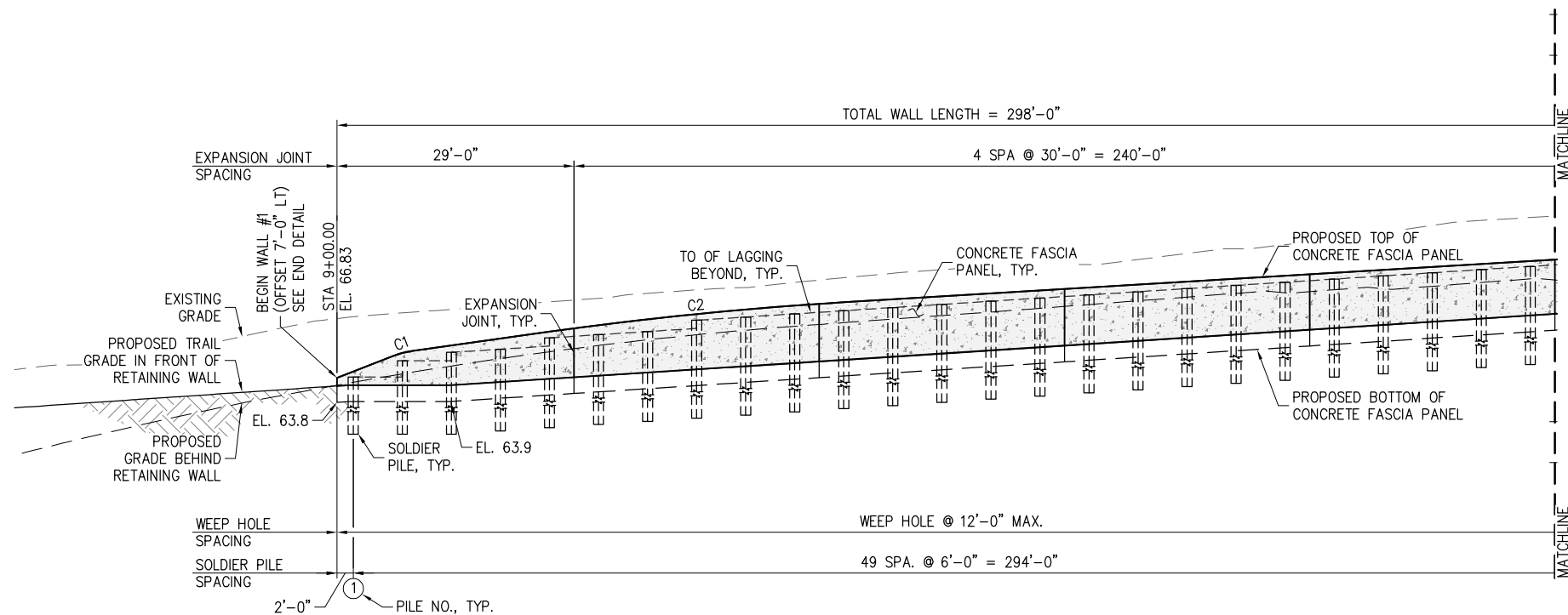
REVISIONS:	DATE	MARK	NOTE

TITLE: WATERFRONT AND OLYMPIC DISCOVERY TRAIL PROJECT, VALLEY CREEK - 10TH & MILWAUKEE
CLIENT: CITY OF PORT ANGELES
321 E. 5TH STREET
PORT ANGELES, WA 98362

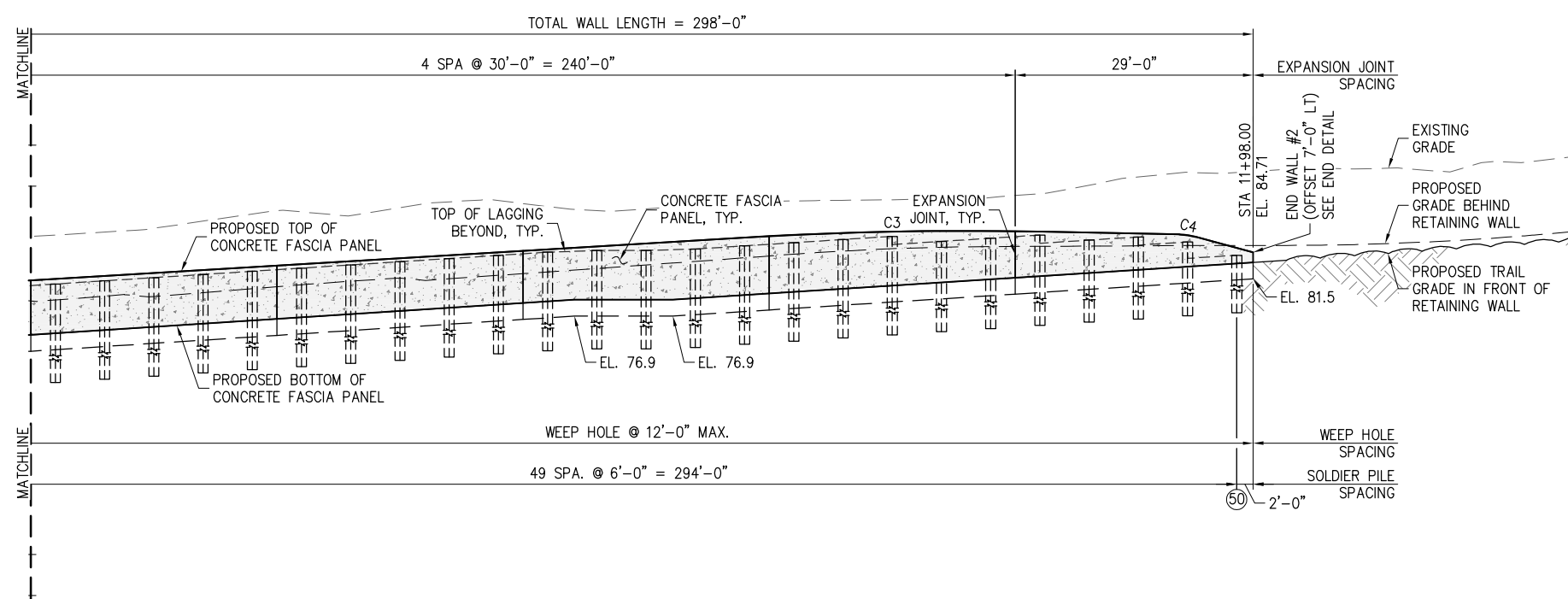
SCALE: NOTED
FILE: 174022-S1.02
JOB NO: 174022
DATE: SEPTEMBER 15, 2017
SET: CONCEPT

SHEET
S1.02

9/14/17_DMCDONALD
K:\2017\174022 - PA TRAIL DRAWINGS\174022-S1.02.DWG



SOLDIER PILE WALL #1 PROFILE



SOLDIER PILE WALL #1 PROFILE

WALL #1 CREST CURVE SCHEDULE	
WALL #1 CREST CURVE C1	
PVC STATION: 9+07.00	ELEVATION: 69.56'
PVI STATION: 9+08.00	ELEVATION: 69.95'
PVT STATION: 9+09.00	ELEVATION: 70.09'
HIGH POINT: 9+09.00	ELEVATION: 70.09'
GRADE IN: 39.00%	GRADE OUT: 14.00%
CHANGE: 25.00%	K: 0.08'
CURVE LENGTH: 2.00'	CURVE RADIUS: 8.00'
WALL #1 CREST CURVE C2	
PVC STATION: 9+26.00	ELEVATION: 72.47'
PVI STATION: 9+44.00	ELEVATION: 74.99'
PVT STATION: 9+62.00	ELEVATION: 76.07'
HIGH POINT: 9+62.00	ELEVATION: 76.07'
GRADE IN: 14.00%	GRADE OUT: 6.00%
CHANGE: 8.00%	K: 4.50'
CURVE LENGTH: 36.00'	CURVE RADIUS: 450.00'
WALL #1 CREST CURVE C3	
PVC STATION: 11+36.01	ELEVATION: 86.51'
PVI STATION: 11+54.00	ELEVATION: 87.59'
PVT STATION: 11+72.01	ELEVATION: 87.23'
HIGH POINT: 11+63.00	ELEVATION: 87.32'
GRADE IN: 6.00%	GRADE OUT: -2.00%
CHANGE: 8.00%	K: 4.50'
CURVE LENGTH: 36.00'	CURVE RADIUS: 450.00'
WALL #1 CREST CURVE C4	
PVC STATION: 11+89.00	ELEVATION: 86.89'
PVI STATION: 11+90.00	ELEVATION: 86.87'
PVT STATION: 11+91.00	ELEVATION: 86.60'
HIGH POINT: 11+89.00	ELEVATION: 86.89'
GRADE IN: -2.00%	GRADE OUT: -27.00%
CHANGE: 25.00%	K: 0.08'
CURVE LENGTH: 2.00'	CURVE RADIUS: 8.00'

REVISIONS:	DATE	MARK	NOTE

TITLE: WATERFRONT AND OLYMPIC DISCOVERY TRAIL PROJECT, VALLEY CREEK - 10TH & MILWAUKEE

SOLDIER PILE WALL #1 PROFILE

CLIENT: CITY OF PORT ANGELES
321 E. 5TH STREET
PORT ANGELES, WA 98362

SCALE: NOTED

FILE: 174022-S1.03.S1.04

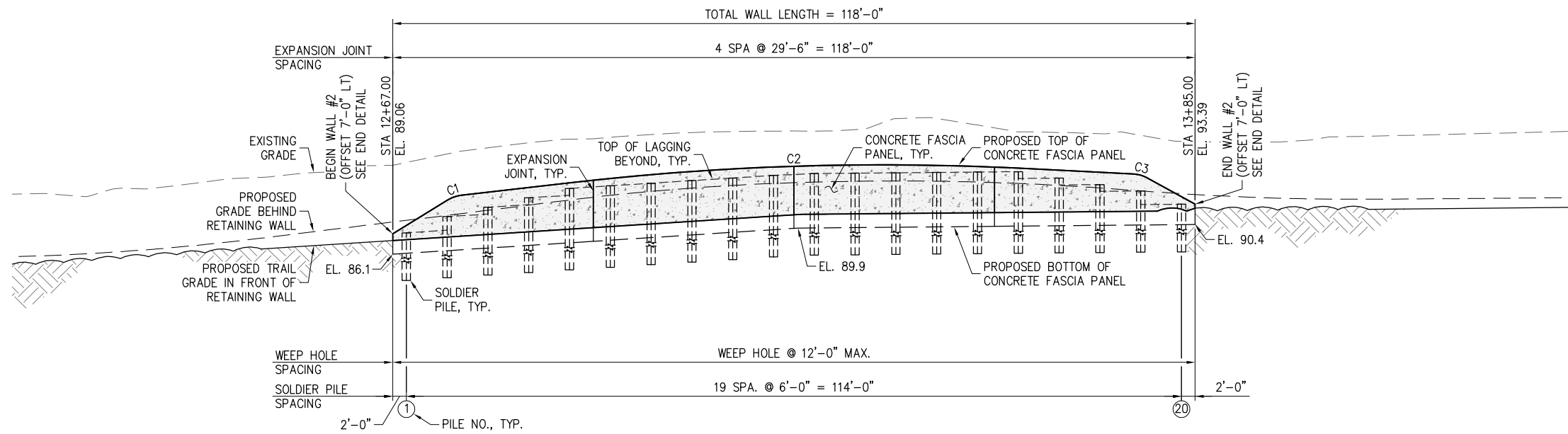
JOB NO: 174022

DATE: SEPTEMBER 15, 2017

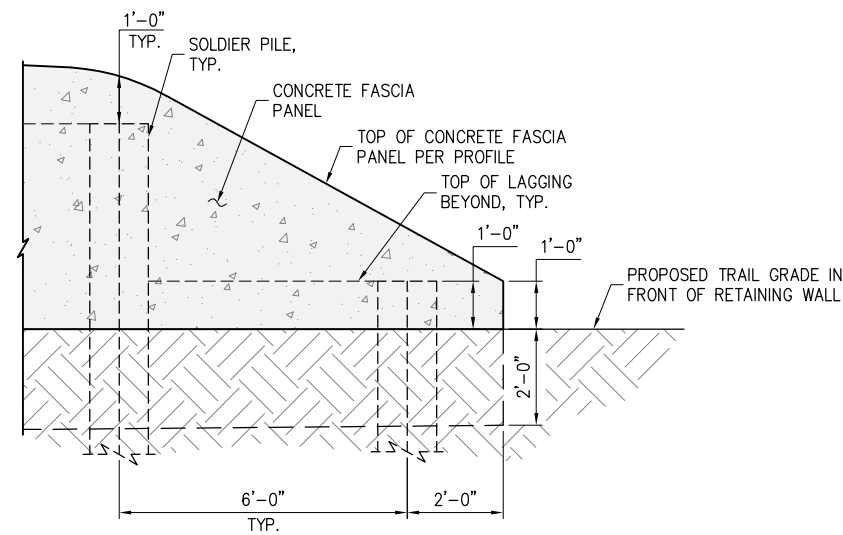
SET: CONCEPT

SHEET

S1.03



SOLDIER PILE WALL #2 PROFILE



SOLDIER PILE WALL END DETAIL

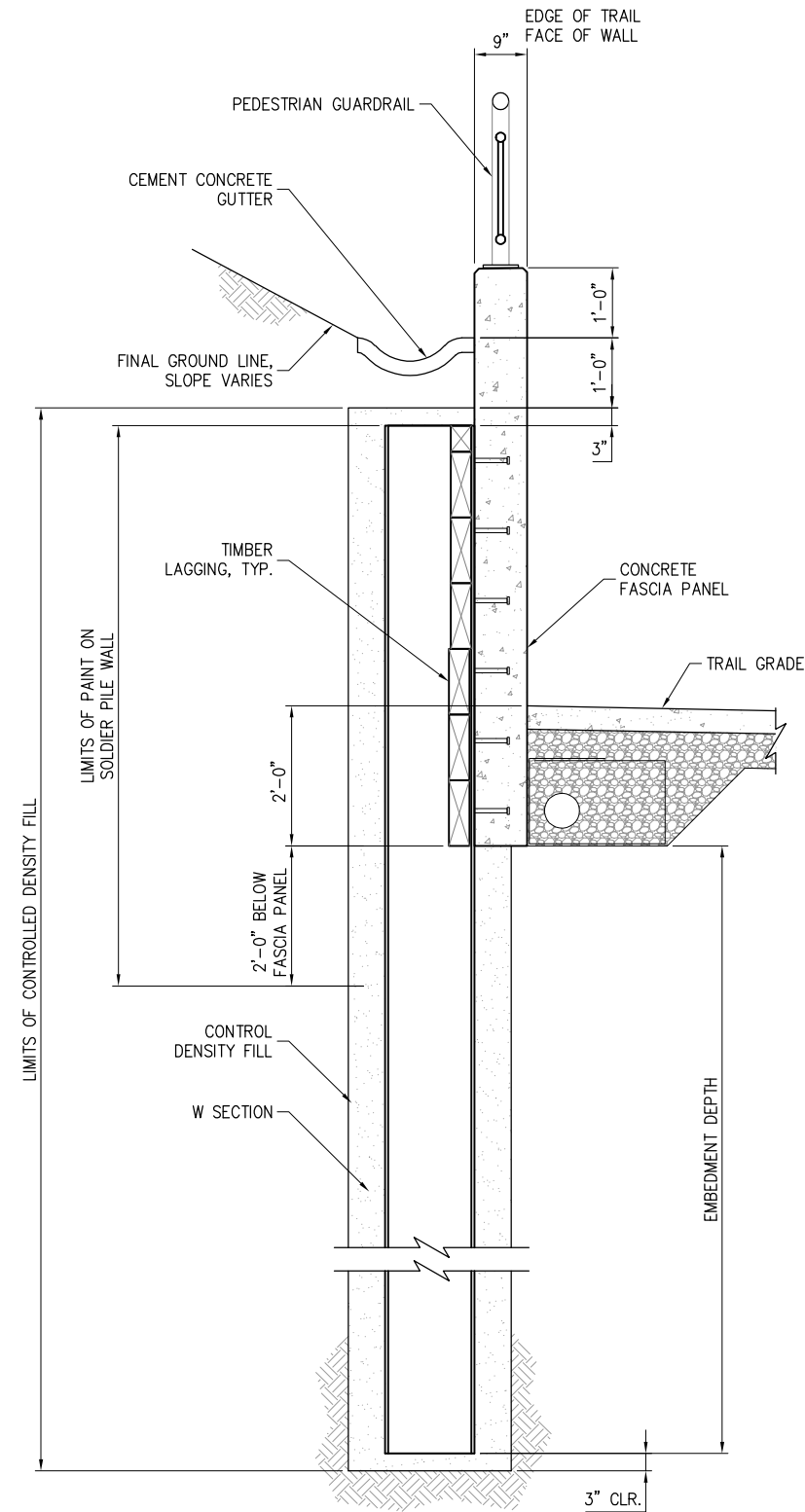
WALL #2 CREST CURVE SCHEDULE	
WALL #2 CREST CURVE C1	
PVC STATION:	12+75.00
ELEVATION:	93.98'
PVI STATION:	12+76.00
ELEVATION:	94.59'
PVT STATION:	12+77.00
ELEVATION:	94.71'
HIGH POINT:	12+77.00
ELEVATION:	94.71'
GRADE IN:	61.50%
GRADE OUT:	11.50%
CHANGE:	50.00%
K:	0.04'
CURVE LENGTH:	2.00'
CURVE RADIUS:	4.00'
WALL #2 CREST CURVE C2	
PVC STATION:	12+93.00
ELEVATION:	96.55'
PVI STATION:	13+26.00
ELEVATION:	100.34'
PVT STATION:	13+59.00
ELEVATION:	98.69'
HIGH POINT:	13+39.00
ELEVATION:	99.19'
GRADE IN:	11.50%
GRADE OUT:	-5.00%
CHANGE:	16.50%
K:	4.00'
CURVE LENGTH:	66.00'
CURVE RADIUS:	400.00'
WALL #2 CREST CURVE C3	
PVC STATION:	13+76.00
ELEVATION:	97.84'
PVI STATION:	13+77.00
ELEVATION:	97.79'
PVT STATION:	13+78.00
ELEVATION:	97.24'
HIGH POINT:	13+76.00
ELEVATION:	97.84'
GRADE IN:	-5.00%
GRADE OUT:	-55.00%
CHANGE:	50.00%
K:	0.04'
CURVE LENGTH:	2.00'
CURVE RADIUS:	4.00'

REVISIONS:	DATE	MARK	NOTE

TITLE: WATERFRONT AND OLYMPIC DISCOVERY TRAIL PROJECT, VALLEY CREEK - 10TH & MILWAUKEE
SOLDIER PILE WALL #2 PROFILE AND SOLDIER PILE WALL END DETAIL
 CLIENT: CITY OF PORT ANGELES
 321 E. 5TH STREET
 PORT ANGELES, WA 98362

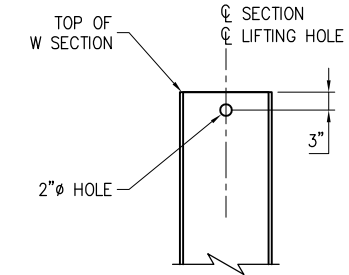
SCALE: NOTED
 FILE: 174022-S1.03.S1.04
 JOB NO: 174022
 DATE: SEPTEMBER 15, 2017
 SET: CONCEPT

SHEET
S1.04

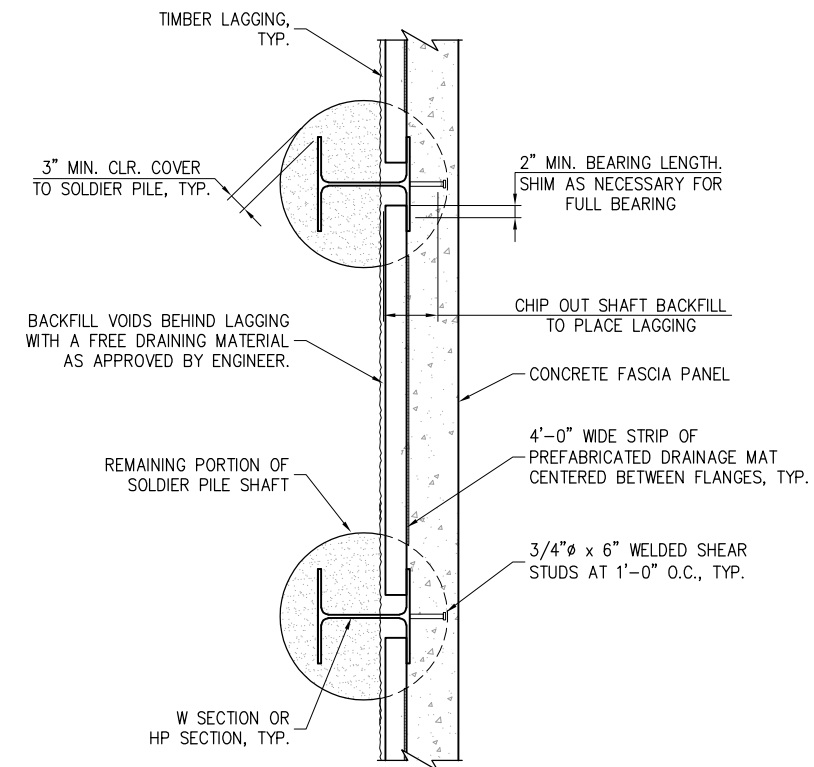


SOLDIER PILE WALL TYPICAL SECTION

TIMBER LAGGING SIZES	
DEPTH (FT)	SIZE
0 - 9	4x8, 10 OR 12



SOLDIER PILE LIFTING HOLE DETAIL



SOLDIER PILE WALL PARTIAL PLAN

REVISIONS:	DATE	MARK	NOTE

TITLE: WATERFRONT AND OLYMPIC DISCOVERY TRAIL PROJECT, VALLEY CREEK - 10TH & MILWAUKEE
SOLDIER PILE WALL
TYPICAL SECTION AND DETAILS
 CLIENT: CITY OF PORT ANGELES
 321 E. 5TH STREET
 PORT ANGELES, WA 98362

SCALE: NOTED
 FILE: 174022-S1.05.S1.08
 JOB NO: 174022
 DATE: SEPTEMBER 15, 2017
 SET: CONCEPT

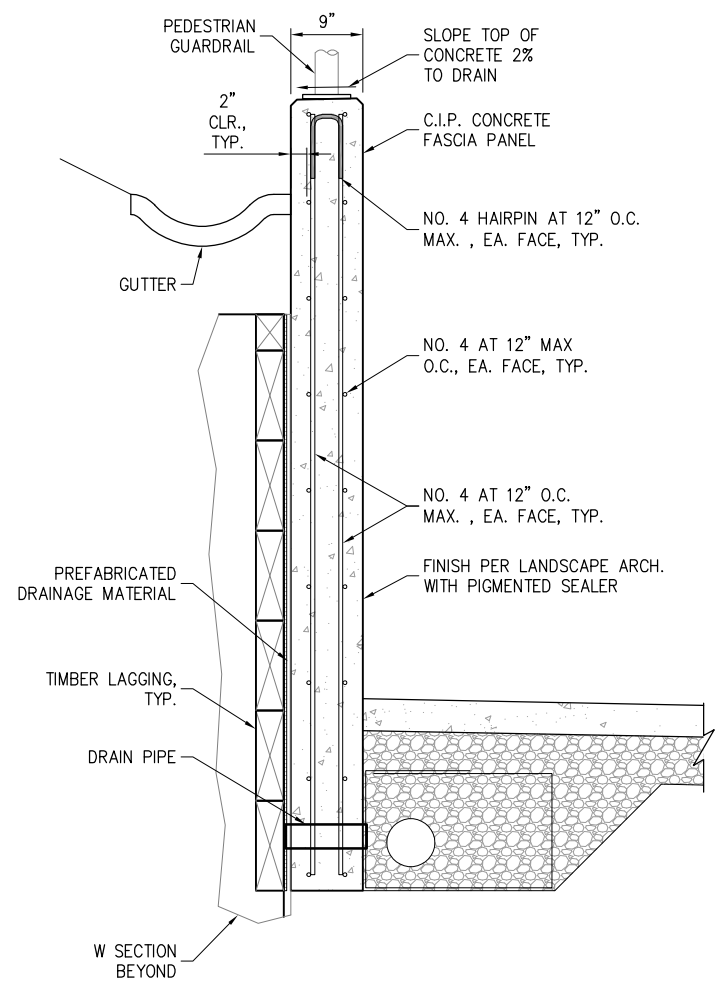
SHEET
S1.05

REVISIONS:	DATE	MARK	NOTE

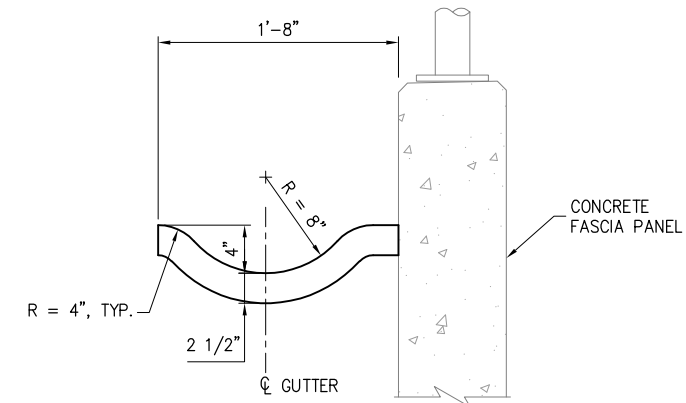
TITLE: WATERFRONT AND OLYMPIC DISCOVERY TRAIL PROJECT, VALLEY CREEK - 10TH & MILWAUKEE
**SOLDIER PILE WALL
 CONCRETE FASCIA PANEL DETAILS**
 CLIENT: CITY OF PORT ANGELES
 321 E. 5TH STREET
 PORT ANGELES, WA 98362

SCALE: NOTED
 FILE: 174022-S1.05.S1.08
 JOB NO: 174022
 DATE: SEPTEMBER 15, 2017
 SET: CONCEPT

SHEET
S1.06

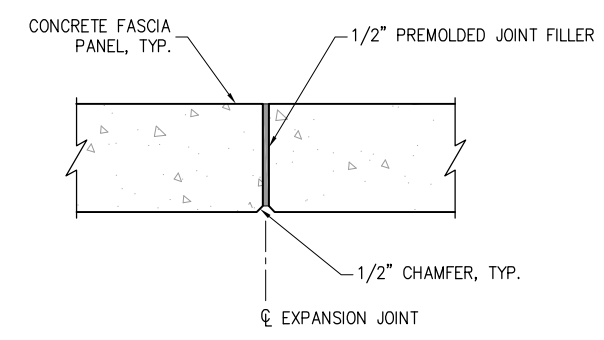


CONCRETE FASCIA PANEL TYPICAL SECTION

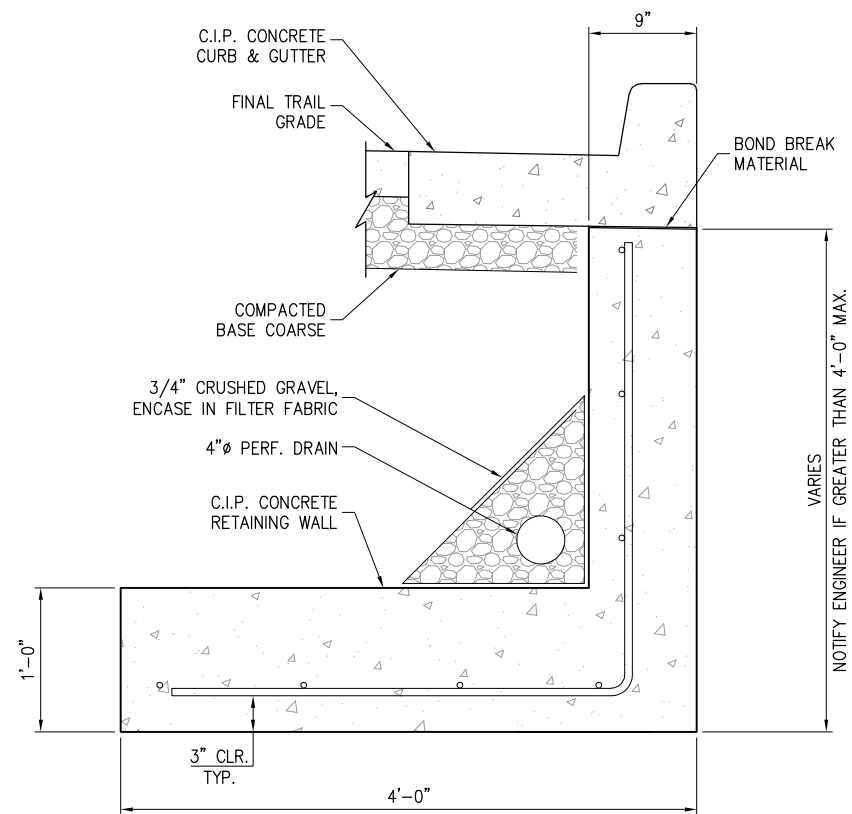


NOTE:
 ALTERNATE GUTTER DETAIL ACCEPTABLE AS
 APPROVED BY ENGINEER OF RECORD.

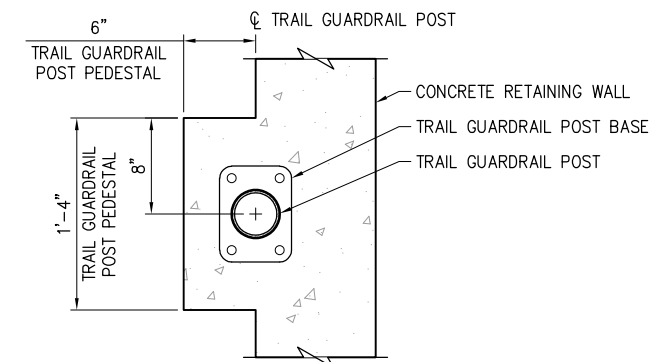
CONCRETE GUTTER DETAIL



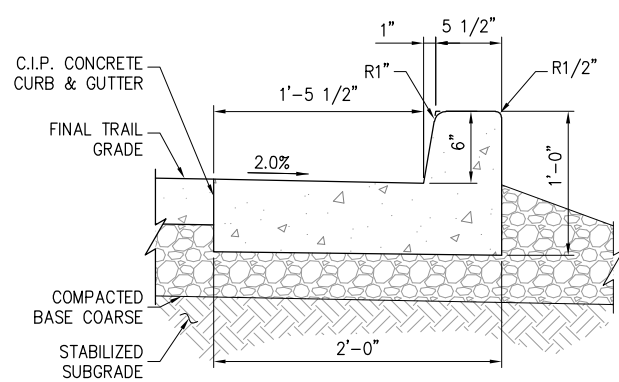
EXPANSION JOINT DETAIL



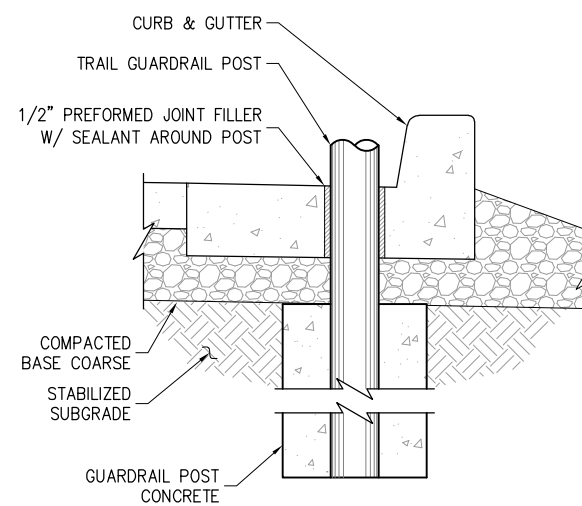
CONCRETE RETAINING WALL SECTION



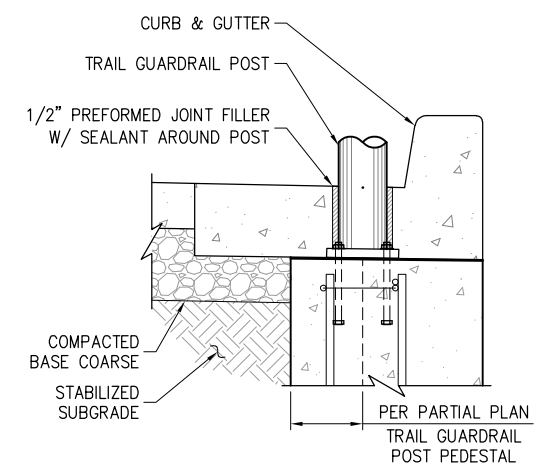
PARTIAL PLAN AT CONCRETE RETAINING WALL
CURB & GUTTER NOT SHOWN FOR CLARITY



CURB & GUTTER SECTION



AT CURB & GUTTER



AT CONCRETE RETAINING WALL

TRAIL GUARDRAIL POST

REVISIONS:	DATE	MARK	NOTE

TITLE: WATERFRONT AND OLYMPIC DISCOVERY TRAIL PROJECT, VALLEY CREEK - 10TH & MILWAUKEE
CONCRETE RETAINING WALL, CURB & GUTTER, AND GUARDRAIL POST DETAILS

CLIENT: CITY OF PORT ANGELES
321 E. 5TH STREET
PORT ANGELES, WA 98362

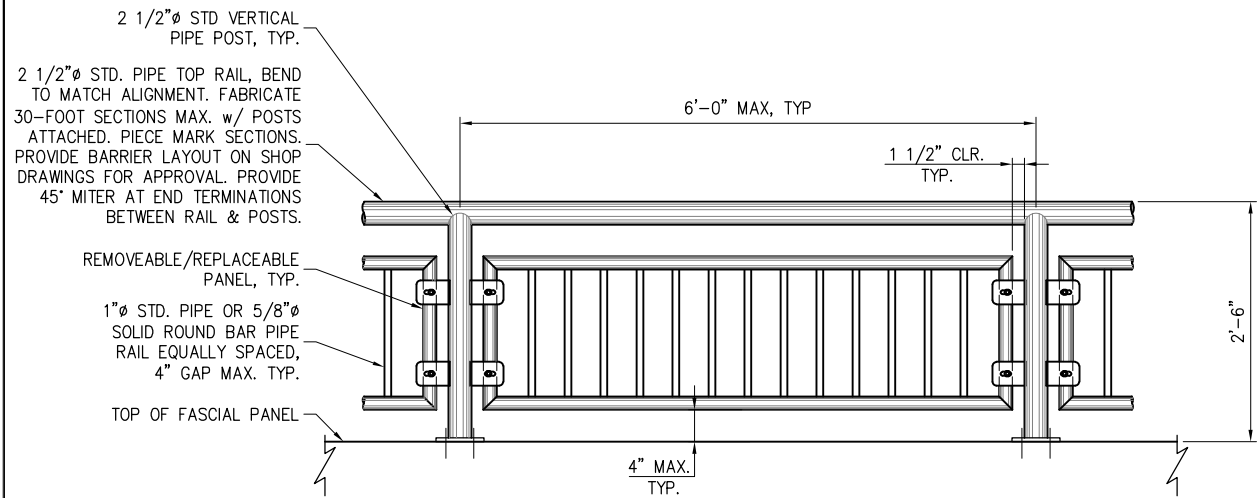
SCALE: NOTED

FILE: 174022-S1.05.S1.08

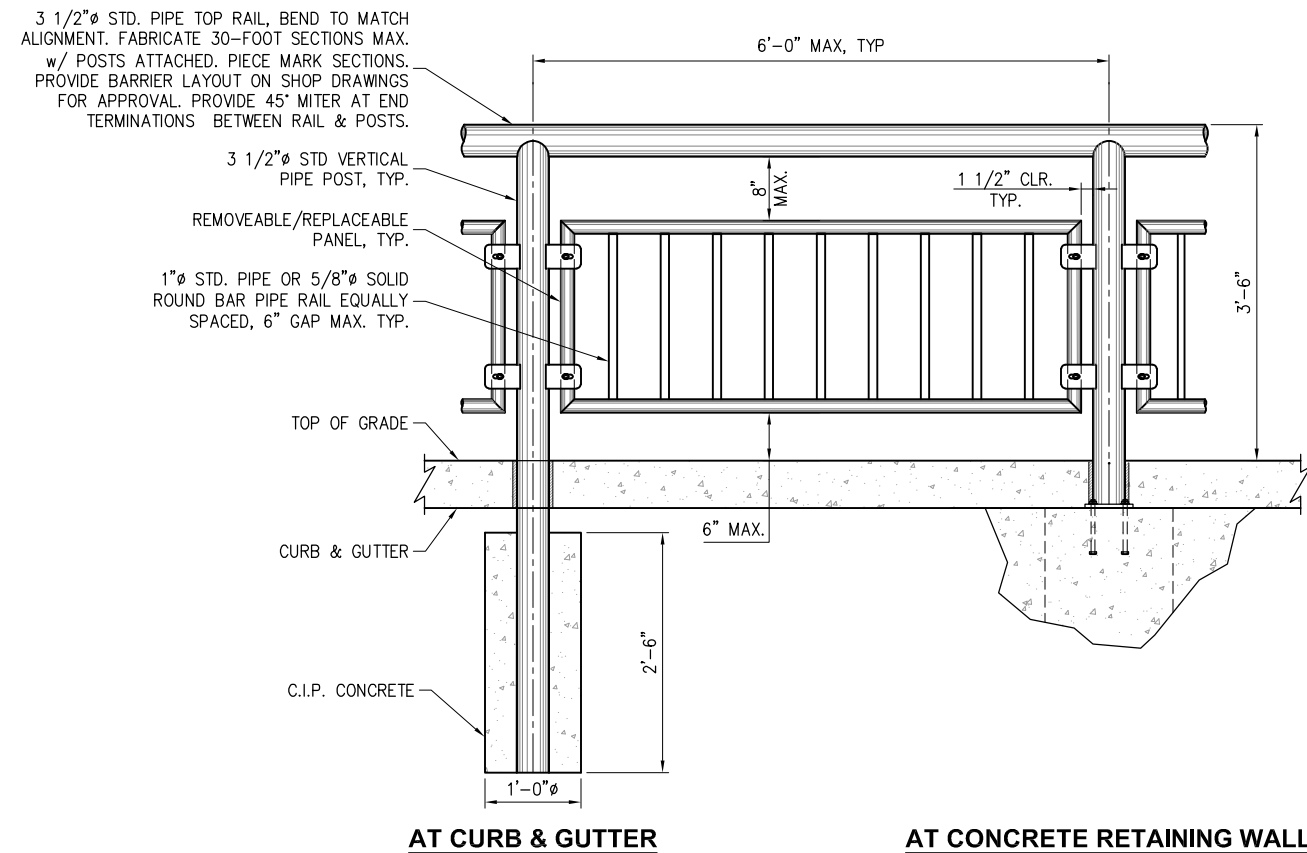
JOB NO: 174022

DATE: SEPTEMBER 15, 2017

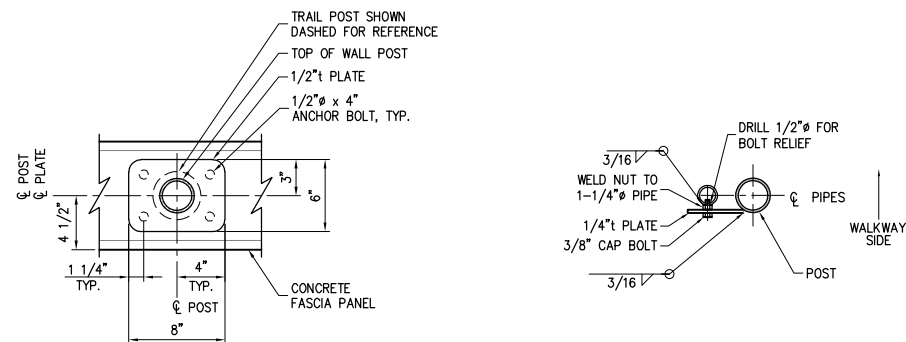
SET: CONCEPT



TOP OF WALL GUARDRAIL PARTIAL ELEVATION



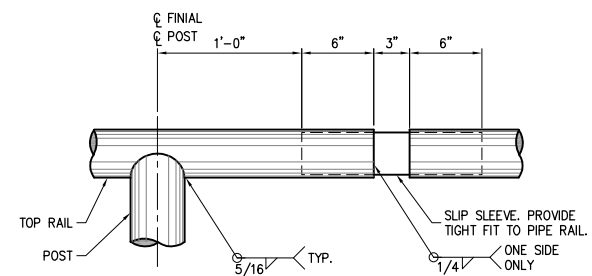
TRAIL GUARDRAIL PARTIAL ELEVATION



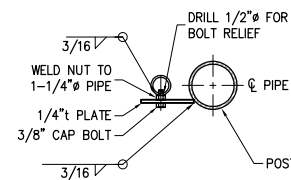
BASE PLAN

SECTION

TOP OF WALL GUARDRAIL

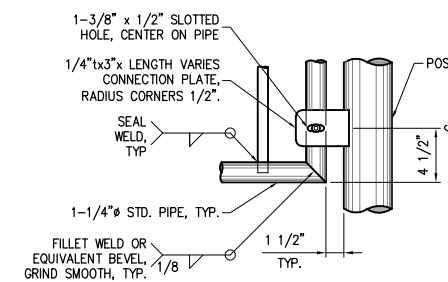


TOP RAIL EXPANSION JOINT



SECTION

TRAIL GUARDRAIL



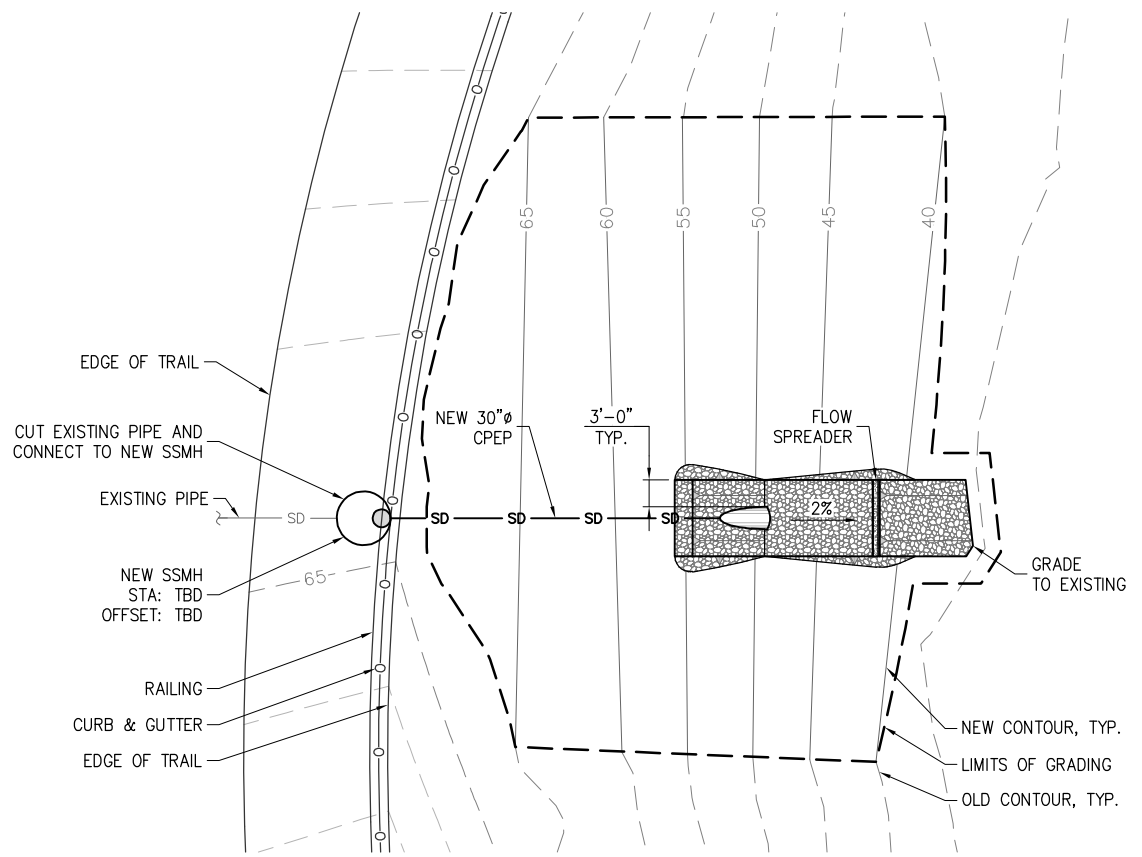
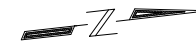
CONNECTION DETAIL

REVISIONS:	DATE	MARK	NOTE

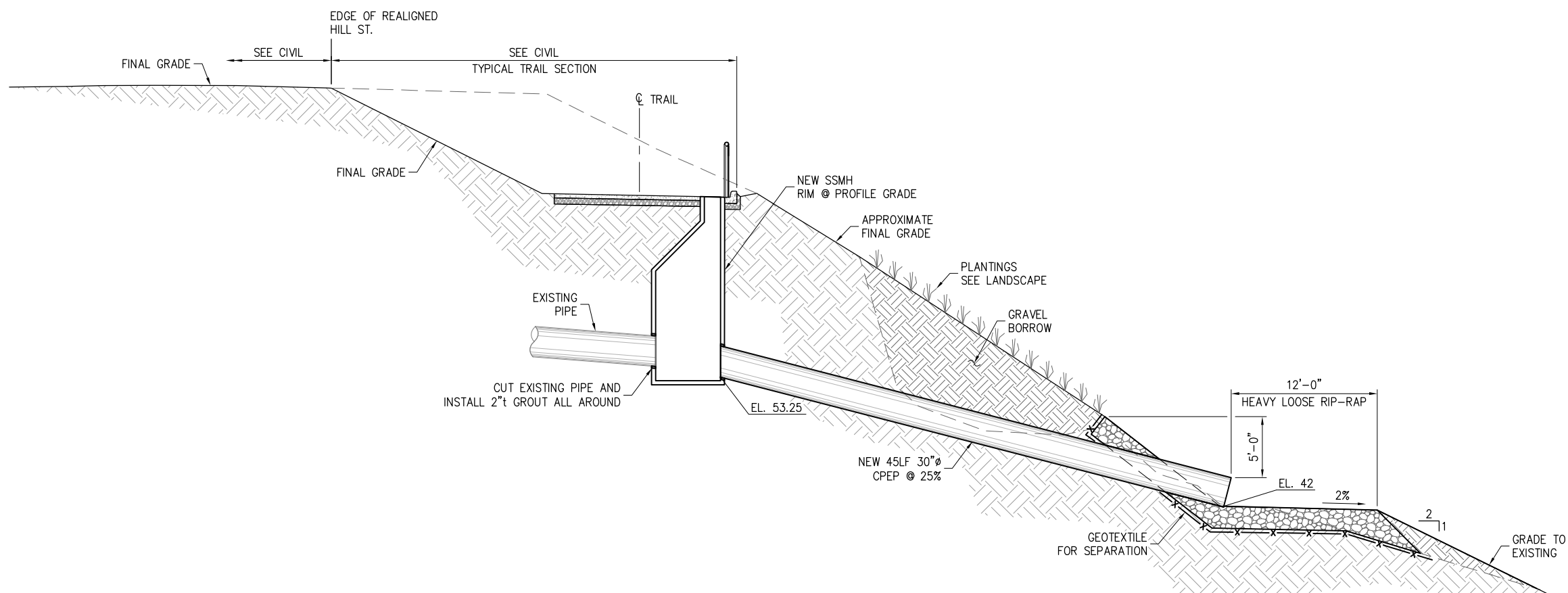
TITLE: WATERFRONT AND OLYMPIC DISCOVERY TRAIL PROJECT, VALLEY CREEK - 10TH & MILWAUKEE
TOP OF WALL GUARDRAIL AND TRAIL GUARDRAIL DETAILS
 CLIENT: CITY OF PORT ANGELES
 321 E. 5TH STREET
 PORT ANGELES, WA 98362

SCALE: NOTED
 FILE: 174022-S1.05.S1.08
 JOB NO: 174022
 DATE: SEPTEMBER 15, 2017
 SET: CONCEPT

SHEET
S1.08



PLAN
AT STA 8+80



PROFILE
AT STA 8+80

REVISIONS:	DATE	MARK	NOTE

TITLE: WATERFRONT AND OLYMPIC DISCOVERY TRAIL PROJECT, VALLEY CREEK - 10TH & MILWAUKEE
OUTFALL REPAIR
PLAN AND PROFILE
 CLIENT: CITY OF PORT ANGELES
 321 E. 5TH STREET
 PORT ANGELES, WA 98362

SCALE: NOTED
 FILE: 174022-S1.09
 JOB NO: 174022
 DATE: SEPTEMBER 15, 2017
 SET: CONCEPT

SHEET
S1.09

9/14/17_DMCDONALD
 K:\2017\174022 - PA TRAIL DRAWINGS\174022-S1.09.DWG